



Boss 338
Boss 552
HEAVY DUTY

Boss 338 552 HD

The Iemca **BOSS** is an automatic barfeeder able to machine bars from 3 to 38 mm (Boss 338 HD) and from 5 to 51 mm (Boss 552 HD); it's ideal to work either with swiss type machines or with fixed headstock lathes. It's available to load bar lengths from 1 meter to 6 meters. It guarantees maximum reliability with no compromises: the continuous improvement made to this product, the attention to the smallest details, and over 20 years of history have driven the Boss line to set the market standard in every working application.



Ø 3-38 mm / 5-51 mm

 **IEMCA**



Watch the video of the
Boss 338 Heavy Duty

The **Boss** line, which accounts for over 30.000 working units all over the world, has been further improved in order to define the market standard once again.

Selling points

Non productive time eliminated to zero. The bar change-over time has been reduced by 40% (from 30 to 18 seconds); headstock idle times have been reduced drastically. This has increased productivity by 10%.

Extreme stiffness and reliability of the machine. We have added the HD (Heavy Duty) options to the well known thick sectioned tube beam, so that the barfeeder is even stiffer and absorbs more vibrations from the rotating bar. This reduces significantly the damage to the spindle, even when loading non straight bars.

Operator interface. The new O/I has been enriched with new user friendly functions.

Non productive time has been eliminated to zero

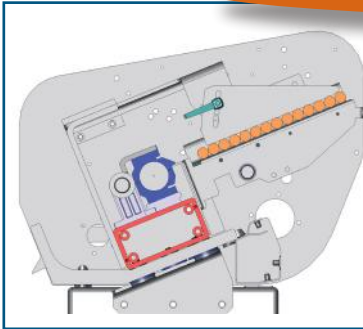


Reduced bar changeover time from 30 seconds to 18 seconds thanks to a new working cycle and improved performing components*.

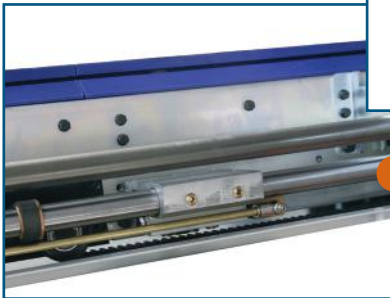


Lathe idle time drastically reduced to zero*.

Extreme stiffness and reliability of the machine



The new Boss HD (Heavy Duty) structure guarantees the barfeeder absorbs a larger quantity of vibration from the rotating bar (even over 60%) shielding the lathe headstock.



The mechanical syncro device ties the barfeeder rigidly to the lathe regardless of the headstock speed or the bar thinness.

New Operator Interface



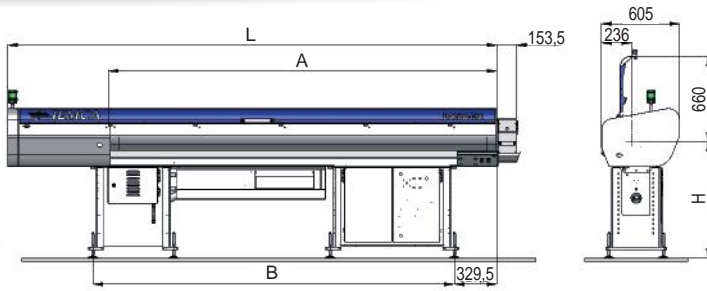
New user friendly "one touch" functions.



Part program storing features with easy upload capability. Possibility to operate the barfeeder from the lathe operator panel **. (Optional)



(*) The data are based on specific actual situations. Please contact your nearest Iemca sales agent in order to receive an estimate for the productivity increase in your specific case.
(**) Only available on lathes that are fully equipped with a Windows system and only upon request at time of purchase.



Dimensions	21	32	37	44	64
L	2685	3802	4342	5002	6982
Amax	2080 (6,9 ft)	3200 (10,5 ft)	3740 (12,2 ft)	4400 (14,4 ft)	6380 (20,8 ft)
Amin	700 (2,3 ft)	1000 (3,3 ft)			2000 (6,6 ft)
B	964	2809	3349	4009	5989
H	900-1220				

A = Bar length

(*) For greater heights, contact your closest Iemca dealer.

Technical specifications	338 HD		552 HD	
Round bar dimensions	ø Min 3 mm (1/8")	ø Max 38 mm (1" 1/2)	ø Min 5 mm (3/16")	ø Max 51 mm (2")
Hexagonal bar dimensions (socket wrench)	Min 3 mm (1/8")	Max 32 mm (1" 17/64)	Min 5 mm (3/16")	Max 43 mm (1" 11/16)
Bar maximum weight (Kg)	30 Kg (40 Kg ver. 64)		55 Kg	
Magazine capacity (mm)	280 (460)		280	
Power (KW)	2		2	
Compressed air (bar)	8		8	
Bar feeder weight for length 32 (Kg)	835		885	



Tool box to store accessories



Original collets, guide channels, split bushings, rotating tips with long life



Possibility to remotely receive software updates on all the machine's electrical devices via teleservice

IEMCA, a BUCCI AUTOMATIONS S.p.A. Division
Via Granarolo 167, 48018 Faenza (RA), ITALY
Tel. +39.0546.698000 Fax +39.0546.46338
iemca.it@bucci-industries.com www.iemca.com

BRAZIL
BUCCI INDUSTRIES BRASIL (IGM DO BRASIL LTDA)
Avenida dos Pinheiros 465 - 13280-000 Vinhedo - SP (São Paulo)
Phone +55 19 3515 7220 iemca.br@bucci-industries.com www.buccibrasil.com.br

FRANCE
BUCCI INDUSTRIES FRANCE
145 Rue Louis Armand - ZI des Grands Pres - F - 74300 Cluses
Phone +33 450 896960 Fax +33 450 896135 iemca.fr@bucci-industries.com www.bucci-industries.fr

GERMANY
BUCCI INDUSTRIES DEUTSCHLAND GmbH
Stammheimer Str. 10 - D-70806 Kornwestheim
Phone +49 (0)7154 83 70 700 Fax. +49 (0)7154 83 70 7025 iemca.de@bucci-industries.com www.bucci-industries.com

JAPAN
IEMCA division of IGM Nippon K.K.
6-10-1, Kamoi, Midori-KU - Yokohama-Shi, Kanagawa, JAPAN Zip code 226-0003
Phone +81 45 931 5096 Fax +81 45 931 5098 iemca.jp@bucci-industries.com

PRC
BI-TECH (Suzhou) Co., Ltd.
106 Wufang Road, Wujiang Area, Suzhou, PRC 215200
Phone +86 512 8155 6988 Fax +86 512 8155 6986 iemca.cn@bucci-industries.com

TAIWAN
GIMCO Ltd.
NO. 297, Dongsing Rd., Dali City, Taichung County, 412, TAIWAN, R.O.C.
Tel +886-4-2406-6970 Fax +886-4-2406-6943 iemca.tw@bucci-industries.com www.gimco.com.tw

USA
BUCCI INDUSTRIES USA Inc.
9332 Forsyth Park Drive - Charlotte - NC 28273-9332 - USA
Phone 001-704-5838341 Fax 001-704-5838486 iemca.us@bucci-industries.com www.bucci-industries.us



Follow us on



Scan our qr code with your smartphone:

